

Features

- Meets or exceeds the requirements of ANSI Standard TIA/EIA-485-A and ISO 8482:1987(E) specifications for V_{CC} at $+5V \pm 10\%$
- Low quiescent current – 0.5mA typ., 1mA max
- Low shutdown current (where applicable) - $1\mu A$ typical, $10\mu A$ max
- Guaranteed standard data rate 2.5Mbps
- True Fail-Safe (Open, Short, Bus Idle) Receiver
- -7V to +12V common-mode input voltage range
- Half-Duplex mode configuration
- Allows up to 1/8 unit load (256 devices) on the same common bus

Product Brief

- Controlled driver output slew rate and receiver input filtering
- Active-high driver enable and active-low receiver enable
- ESD protection on bus terminals
 - $\pm 15kV$ Human Body Model (HBM)
- Alternative replacement for MAX3085E, MAX13082E, MAX13085E, SN75HVD3085, SN-65HVD3085
- Standard fanout driving 1 unit load (32 devices) on the ZT485E Series are available options

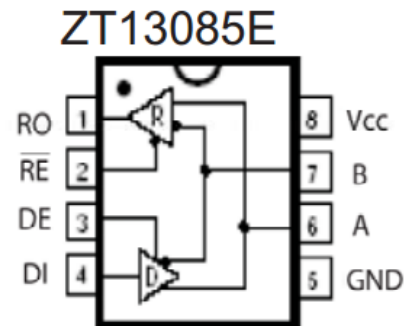
Product Description

The ZT13085E device is a 5V differential data line transceivers for RS485/RS422 communication that consist of one driver and one receiver with high level of ESD protection. They are designed for balanced transmission lines interface that meet ANSI standard TIA/EIA-485-A and ISO 8482:1987(E) specifications

The ZT13085E series devices spans out with half duplex, data rate guaranteed at 2.5M bit per second allow one-eighth of an unit load that fan out 256 devices sharing a common bus. The I/Os are enhanced-electrostatic discharge (ESD) protected, exceeding $\pm 15kV$ Human Body Model (HBM).

Target Applications

- RS422/RS485 communications
- Utility meters
- Industrial process control
- Building automation
- Level translators
- Transceivers for EMI-sensitive applications
- Routers and HUBs
- Industrial-controlled Local Area Networks
- Industrial PCs, embedded PCs and peripherals
- Industrial, security CATV and camera applications



Product Selection Guide

Part Number	Duplex	# Of Tx/Rx	Data Rate (Mbps)	# of Tx/Rx on Bus	Slew Rate Limit	Rx Input Filtering	Low-Power Shutdown	Tx/Rx Enable	ESD on Tx/Rx	Package Types	Pin-to-Pin Cross Reference
ZT13085E	Half	1/1	2.5	256	No	No	Yes	Yes	$\pm 15kV$	8-PDIP, 8-nSOIC	MAX3085E, MAX13082E, MAX13085E, SN65HVD3085E